



# 全漢企業股份有限公司

SPI Electronic Co.,Ltd

P/N:4PB0001611GP(LINE TEK)

## SOURCE CONTROL DRAWING

### REVISIONS

ECN NO	REV	DESCRIPTION	DATE	MADE BY	CHECKED BY
	1	INITIAL	2005/6/1	黃銀山	陳炳旭
	2	增加俄羅斯安規標志	2006/11/22	陸舟	熊彥紅

REMARK:



**LINETEK**  
**EVERFULL**

## **GENERAL SPECIFICATION**

### **1.SCOPE:**

EUROPEAN TYPE POWER SUPPLY CORD WITH THERMOPLASTIC INSULATION IN ACCORDANCE WITH IEC STANDARD.

### **2.FLEXIBLE CORD:**

2-1 FLEXIBLE CORD MANUFACTURER FOR APPROVAL:

EVERFULL ELECT. CO., LTD.

2-2 CONSTRUCTION OF FLEXIBLE CORD

2-2-1 CORD JACKET: P.V.C MATERIAL

CORD TYPE:  H03VV-F 3 X 0.75 mm<sup>2</sup> (24/0.2 mm)

OUTER DIAMETER: 5.8 mm (±0.15 mm)

H05VV-F 3 X 0.75 mm<sup>2</sup> (24/0.2 mm)

OUTER DIAMETER: 6.6 mm (±0.20 mm)

2-2-2 THREE CONDUCTORS: 0.75 mm<sup>2</sup> (24/0.2 mm) UNTINNED COPPER WIRE

2-2-3 CONDUCTOR INSULATION: P.V.C MATERIAL

2-2-4 COLOR:  BLACK  WHITE  IVORY  GRAY

### **3.PLUG CONSTRUCTION**

3-1 PLUG MODEL NO: LP-33

3-2 ELECT. RATING: 250V 16A

3-3 PLUG BODY MATERIAL: MOULDED P.V.C COMPOUND

3-4 PLUG PIN: NICKELED COPPER ALLOY

### **4.FEMALE CONNECTOR CONSTRUCTION:**

4-1 CONNECTOR MODEL NO:  LS-15  LS-60

4-2 ELECT. RATING: 250V 10A

4-3 CONNECTOR BODY MATERIAL: MOULDED P.V.C COMPOUND

4-4 CONNECTOR CONTACT SLEEVE: COPPER ALLOY

### **5.TEST REQUIREMENTS:**

5-1 APPEARANCE:

IT SHALL NOT SHOW ANY DAMAGE ON THE SURFACE OF PLUG, CORD AND CONNECTOR.

5-2 CONTINUITY OF CONDUCTOR:

OPEN/SHORT CIRCUIT ARE NOT ALLOWED.



# LINETEK EVERFULL

## 5-3 MOISTURE RESISTANCE TEST:

PUT SPECIMEN INTO A HUMIDITY CABINET WITH A RELATIVE HUMIDITY BETWEEN 91% -95% AT TEMPERATURE OF 20°C–30°C FOR 48 HOURS, NO DAMAGE WILL BE FOUND IN THIS SPECIMEN.

## 5-4 INSULATION RESISTANCE TEST:

INSULATION RESISTANCE SHOULD NOT LESS THAN 5 MEGOHM WITH THE APPLICATION OF DC 500V FOR ONE MINUTE.

## 5-5 TEMPERATURE RISE TEST:

WITH THE APPLICATION OF RATING CURRENT TO SPECIMEN FOR FOUR HOURS. THE TEMPERATURE RISE SHALL NOT EXCEED 45 DEGREE C AGAINST ROOM TEMPERATURE.

## 5-6 LOAD TEST:

NO BREAKDOWN AFTER LOADING 13.6 KGS TO SPECIMEN AT ROOM TEMPERATURE (20°C ± 2°C ) FOR ONE MINUTE.

## 5-7 BENDING TEST:

ONE SIDE OF THE SAMPLE SHALL BE LOADED WITH A WEIGHT OF 1.02KGS. BEND THE PLUG BACKWARDS AND FORWARDS WITH AN ANGLE OF 45° ON EITHER OF VERTICAL FOR 5,000 TIMES, THEN, FURTHER MORE 90° ROTATIONAL DIRECTION FOR 5,000 TIMES AND THE RATE OF FLEXING 60 PER MINUTE NOT ALLOWED ALL BROKEN.

## 5-8 INSERTION AND WITHDRAWL FORCE TEST: CONNECTOR:LS-60

THE CONNECTOR IS INSERTED TO THE FULL DEPTH INTO AND WITHDRAW FROM A STANDARD GAUGE FOR 10 TIMES. AFTER THAT, THE FORCE NECESSARY TO INSERT INTO A STANDARD GAUGE SHOULD BE WITH IN THE RANGE FROM 1.02Kg TO 7.0Kg AND THE FORCE NECESSARY TO WITHDRAW FROM A STANDARD GAUGE SHOULD BE WITH IN THE RANGE FROM 1.02Kg TO 5.10Kg.

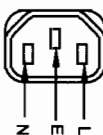
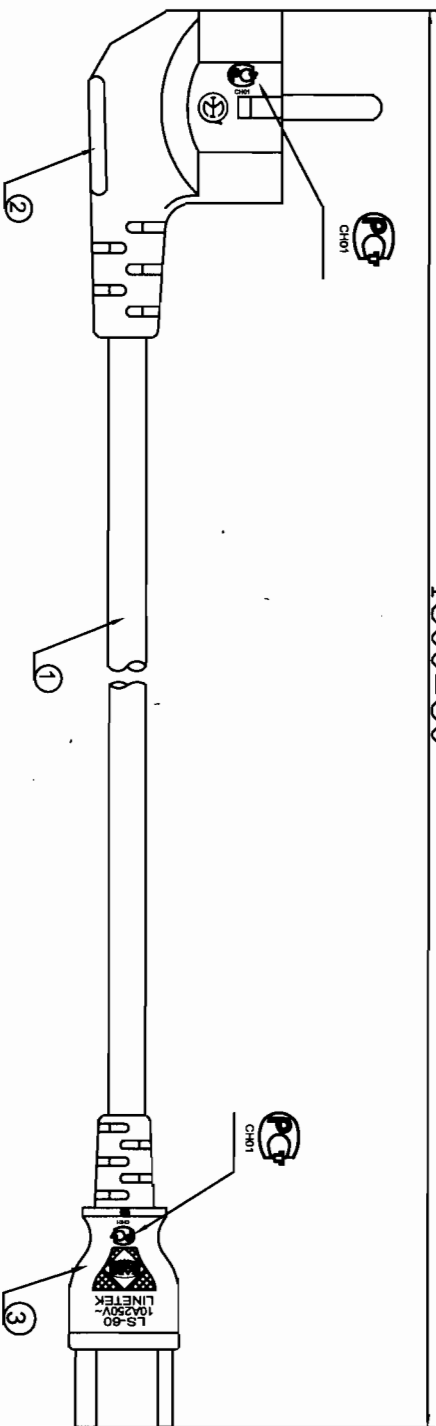
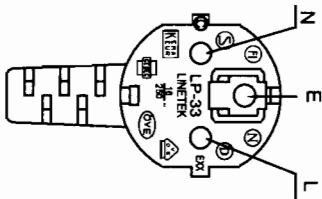
## 6. NON MIGRATION TEST: YES NO

THE SAMPLE SUBJECTED TO THE TEMPERATURE OF 50°C ± 2°C X 24HRS LAID BETWEEN PLATE OF POLYSTYRENE AND LOADED A WEIGHT OF 500G.

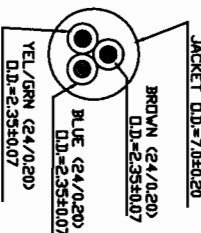
**TEST PLATE:** 50 X 50 X 3 mm THICKNESS.

THE SPECIMEN AND TEST PLATE SHALL NOT SHOW CLEAR TRACE AND DISCOLORATION ON THE ABSORPTION PLATES.

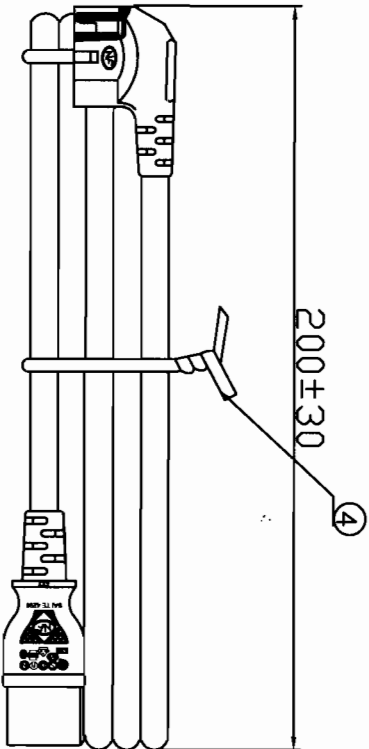
1500±50



CABLE MARKING: ◀VDEE▶ KEMA-KEUR CEBEC IEMMEQU ⓄⓃⓈⓄⓈ OVE +N +N +N +N  
 NF-USE -1336 ◀SABS▶ SAI TE4274 4V-.75 V-.75 H05VV-F 3G 0.75 - LINETEK - "LF"



CROSS-SECTION VIEW



- NOTES:
1. CABLE: THE CORD SHALL COMPLY WITH IEC60227.
  2. PLUG: THE MOLDED PLUG SHALL COMPLY WITH IEC60884-1.
  3. CONNECTOR: THE MOLDED CONNECTOR SHALL COMPLY WITH IEC60320-1 STANDARD(C13 CONNECTOR).
  4. THE PRODUCT SHALL BE TESTED 100% FOR ALL SAFETY ELECTRICAL ITEMS.
  5. COLOR: BLACK(EA0000)
  6. PRINT: INDENT PRINT

REV	EGN NO	DESCRIPTION	APPD.	DATE
1		Original Picture		2006.11.16

ITEM	DESCRIPTION	QTY	UM
4	PE MINI TIE:BLACK	1	EA
3	MOLDED CONNECTOR: LS-60 10A/250V	1	EA
2	MOLDED PLUG: LP-33 16A/250V	1	EA
1	H05VV-F 0.75mm <sup>2</sup> 3C BLACK 4'11"	1	EA

Tolerance:	
>0±0.3	
>1±0.5	
>10±1	
>20±2	
Angle:	
±1°	

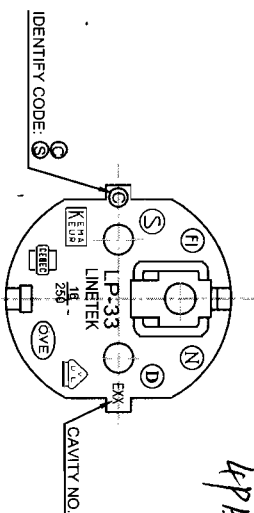
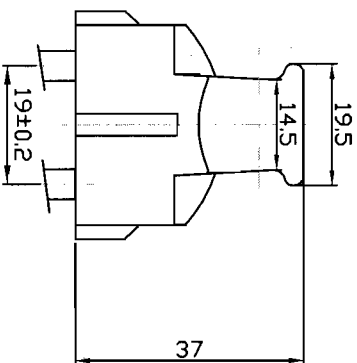
  

Approved by:	Checked by:	Drawn by:	Date:
<i>[Signature]</i>	邱長泉	張國倉	2006.11.15
Customer:		Customer P/N:	EVERFULL P/N:
全漢		4PB0001611GP	M0A0028-003

Scale:	Unit:	DWG. NO.:	SHEET 1 OF 1
X	mm	M0A0028-003	REV. 1

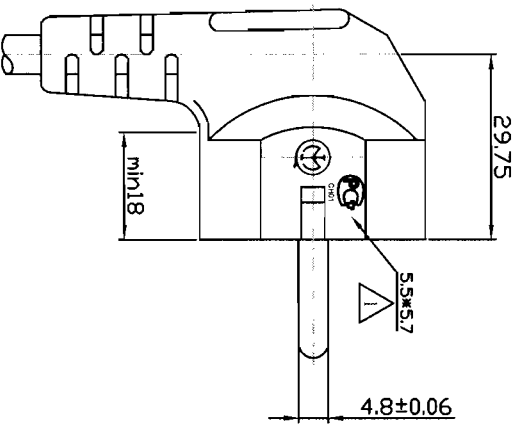
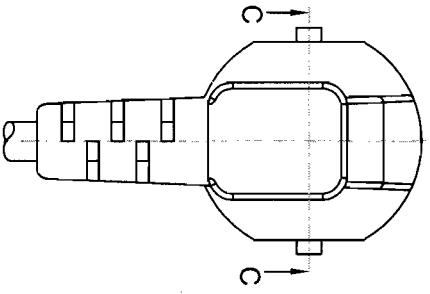
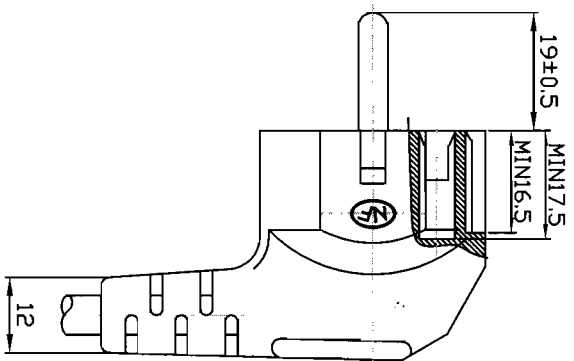
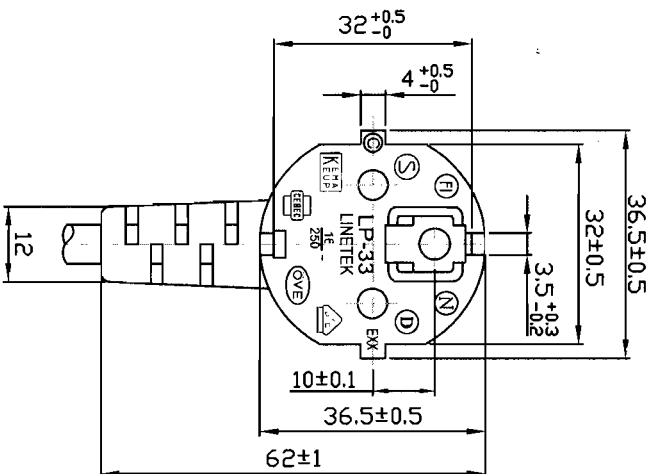
Specification Use Only



怡富万料号:

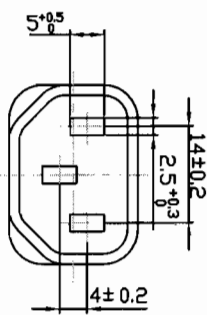
插头变更对应令议料号:  
 4PB0000700GP, 4PB0001611GP  
 4PB0000500GP

MOA0028-003, MOA0028-005  
 MOA0028-015

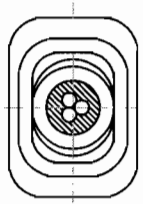
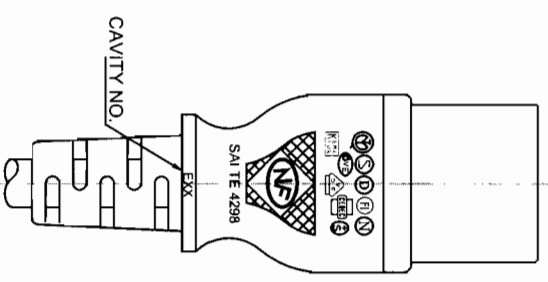
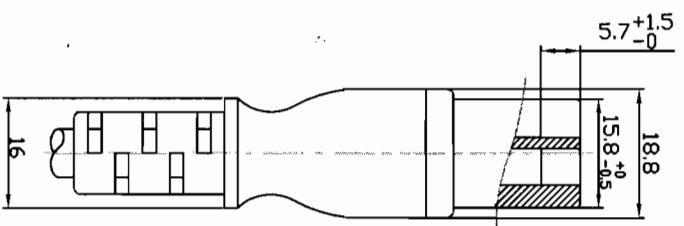
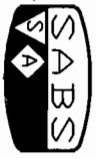
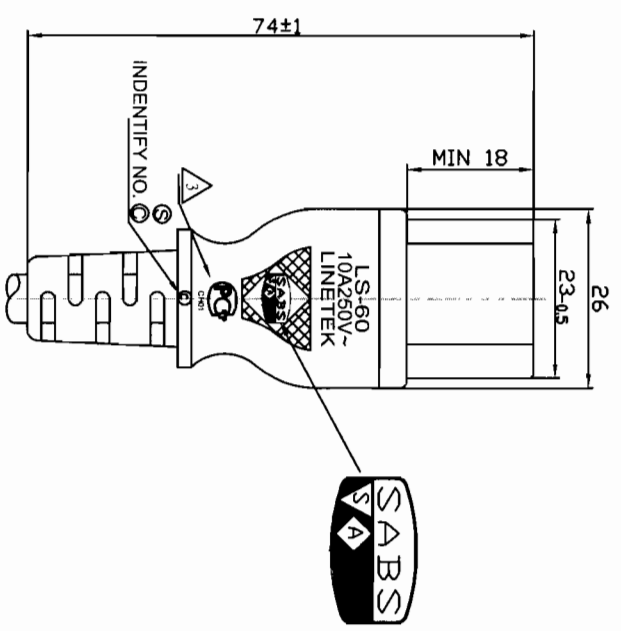


2		mark	12/09/06
1		Original Picture	17/03/05
REV	ECN NO	DESCRIPTION	APPD. DATE

Suitable Flexible	Tolerance:	Approve:	
cord:	Angle:	Checked:	
H03VV-F 3G 0.75mm <sup>2</sup>	>0 ±0.3	Engineer:	Description: LP-33(VDE)
H05VV-F 3G 0.75mm <sup>2</sup>	>5 ±0.5	Drawn: YKC	
H05VV-F 3G 1.00mm <sup>2</sup>	>10 ±1	Date: 17/03/05	Material: P.V.C
H05VV-F 3G 1.50mm <sup>2</sup>	>20 ±2	Specification Use Only	Scale: XX
PSSA 3G 0.75mm <sup>2</sup> (LW)	±1°	Dwg.No.: MLD-ALPA002	View:
PSSC 3G 0.75mm <sup>2</sup> (LW)			Unit: mm
H05RN 3G 0.75/1.00mm <sup>2</sup>			REV 2.0
H07RN 3G 1.00mm <sup>2</sup>			
H05RR 3G 0.75/1.00mm <sup>2</sup>			



尾插变更对应领料号:  
 4PB0000700GP, 4PB0001611GP, 4PB000500GP  
 4PB0001811GP, 4PB0002711GP



4		Add mark	14/08-06
3		Delete STQC(Mark)	31/05-06
2		Add Mark	17/03-06
1		Original Picture	17/03-05
REV	ECN NO	DESCRIPTION	APPD. DATE

Suitable Flexible  
 cord:  
 250V 10A  
 H05VV-F 3G 0.75mm<sup>2</sup>  
 H05VV-F 3G 1.00mm<sup>2</sup>  
 PSSA 3G 0.75mm<sup>2</sup>  
 PSSC 3G 0.75mm<sup>2</sup>

Tolerance:  
 >0 ±0.3  
 >5 ±0.5  
 >10 ±1  
 >20 ±2  
 Angle:  
 ±1°



Description: LS-60(V/DE+SABS+SAI)

Approved: *17/3/16*  
 Checked:  
 Engineer: YKC  
 Drawn: YKC  
 Date: 17/03-05  
 Material: P.V.C  
 Scale: XX  
 View:

Specification Use Only  
 Dwg.No.: MLD-ALSA001  
 REV 3.0

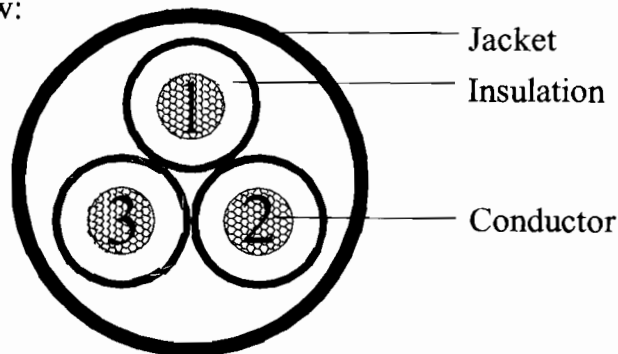
客戶		<b>怡富萬電業有限公司</b> <b>PRODUCT SPEC</b>	製定日期: 2003/2/8
P/N	H05VV-F 3C/0.75mm <sup>2</sup>		文件編號:
設計卡號	011		版 本: 3
編 號	EF3-ARD-b001		修改日期: 2004/06/02

Item	Unit	Specification
<b>Product</b>		H05VV-F
Conductor	Size	mm <sup>2</sup> 0.75
	Material	Annealed Soft Bare Copper Wire
	Number	C 3
	Construction	pcs/mm 24/0.20
Insulation	Material	PVC
	Min.Thickness	mm 0.44
	Min.Avg.Thickness	mm 0.60
	Diameter	mm 2.20±0.10
Cadling	Construction	See Cross-Section
Jacket	Material	PVC
	Min.Thickness	mm 0.58
	Min.Avg.Thickness	mm 0.80
	Diameter	mm 6.60±0.20
	Color	By Order
Marking	VDE KEMA-KEUR CEBEC IEMMEQU VE NF-USE-1336	
	SABS SAI TE4274 4V-75 V-75 H05VV-F 3G 0.75 --LINETEK-- "LF"	

**Electrical & Physical Property**

Item	Unit	Specification	Standard
Conductor Resistance	Ω/KM	AT 20°C	Max.26.0
Insulation Resistance	MΩ-Km	AT 70°C	Min.0.010
Dielectric Withstand	VAC/1min	2000	NO Breakdown
Flame Test	mm	Flame Time 62 sec	No affection within 50mm top clamp

Cross-Section View:



Color Code:

1	Brown
2	Blue
3	Yellow/Green

Approved: Sandy

Checked: XU

Engineer: 梅松海

# VDE Prüf- und Zertifizierungsinstitut Zeichengenehmigung

Anspruch-Nr. Licence No.	Blatt Sheet
108145	2

Name und Sitz des Zeichenerwerbungs-Inhabers/Name and registered seat of the marks licence holder

Taiwan Line Tek Electr. Co., Ltd., 95, Tsao Ti Wei, RC- Shen Keng Hsiang, Taipei, Hsien, Taiwan

Fertigungslieferant/Place of manufacture

-AC- Taiwan Line Tek Everfull Electronic Co., Ltd., Yi Fu Wan Dain Ye Chang, TJ Bao An, Shenzhen, Guangdong

Statistik/Statistics

31/1 David Lo/1997-12-24

Markenzeichen/Mark

17576-1570-0008/305WS TI1/ko-e-na

Datum/Date

1998-05-12

VDE-Zeichen / VDE Mark:



Die Bedingungen zum Benutzen des Zeichens sind auf Blatt 1 von 1998-05-12 genannt.  
The conditions to use the mark are referred to on page 1 of 1998-05-12.

Jahresgebühren-Einheiten/  
annual fee units

Geprüft nach / tested according to

DIN EN 60320-1 (VDE 0825 Teil 1):1997-07

EN 60320-1:1996+A1:1996

DIN VDE 0626:1988-06

EN 60799:1996

DIN EN 60799/A1 (VDE 0826/A1):1995-04

EN 60799/A1:1994

Geräteanschlussleitung

4,18

Cord set

Typenbezeichnung:

LP-33/LS-60

Type reference

LP-34/LS-60

0,93

Nennspannung:

AC 250 V

Rated voltage

Nennstrom:

10 A

Rated current

Polzahl:

zweipolig mit Schutzkontakt

Number of poles

two poles with earthing contact

Bauart

Stecker

Typ LP-33, LP-34

DIN 49441 R2

Gerätesteckdose

Typ LS-60

Normblatt C13

Type of construction

Plug

type LP-33, LP-34

DIN 49 441 R2

Connector

type LS-60

Standard Sheet C13

3,72

Zuleitungen:

H05VV-F 3 G 0,75 mm<sup>2</sup> (Leitungslänge max. 2 m)

H05VV-F 3 G 1,0 mm<sup>2</sup>

P5SC (GFC-3R) 3 G 0,75 mm<sup>2</sup> (Leitungslänge max. 2 m)

P5SA (GFC-3R) 3 G 0,75 mm<sup>2</sup> (Leitungslänge max. 2 m)

3,72

- Fortsetzung siehe Blatt 3 / continued on page 3 -

12,55

VDE-Form 77L D55-3

VDE Testing and Certification Institute · Institut VDE d'Essais et de Certification

VDE Verband Deutscher Elektrotechniker e.V.  
190 Members of German Electrical Engineers  
Mittelstraße 26 · D-53059 Oltenbach

Telefon national (069) 8308-0 · Telefax (068) 8306-555  
Telefon international (+49) (60) 8308-0



# VDE Prüf- und Zertifizierungsinstitut Zeichengenehmigung

Ausweis-Nr.  
Licence No.  
**108145**

Blatt  
Sheet  
**3**

Name und Sitz des Zeichengenehmigungs-Inhabers/Name and registered seat of the marks licence holder

Taiwan Line Tek Electr. Co., Ltd., 95, Tsao Ti Wei, RC- Shen Keng Hsiang, Taipei, Hsien, Taiwan

Fertigungsstätte/Place of manufacture

-AC- Taiwan Line Tek Everfull Electronic Co., Ltd., Yi Fu Wan Dain Ye Chang, TJ Bao An, Shenzhen, Guangdong

Stichtag/Serial No.

31/1 David Lo/1997-12-24

Aktenzeichen/File

17576-1570-0008/305WS TI1/ko-e-na

Datum/Date

1998-05-12

VDE-Zeichen / VDE Mark:



Die Bedingungen zum Benutzen des Zeichens sind auf Blatt 1 von 1998-05-12 genannt.  
The conditions to use the mark are referred to on page 1 of 1998-05-12.

Übertrag /transfer:

12,55

- Fortsetzung von Blatt 2 / continued from page 2 -

Cords

H05VV-F 3 G 0,75 mm<sup>2</sup> (length of the cord max. 2 m)

H05VV-F 3 G 1,0 mm<sup>2</sup>

P5SC (GFC-3R) 3 G 0,75 mm<sup>2</sup> (length of the cord max. 2 m)

P5SA (GFC-3R) 3 G 0,75 mm<sup>2</sup> (length of the cord max. 2 m)

Ausführung:

Classification

Stecker Typ LP-34 und Gerätesteckdose Typ LS-60:

zentrale Leitungseinführung

Stecker Typ LP-33:

abgewinkelte Leitungseinführung

Plug type LP-34 and connector type LS-60:

straight cable entry

Plug type LP-33:

angled cable entry

Anmerkung:

Remark:

Stecker Typ LP-33 genehmigt unter Az. 17576-1560-0802

Stecker Typ LP-34 genehmigt unter Az. 17576-1560-0803

Plug type LP-33 approved under file Ref. 17576-1560-0802

Plug type LP-34 approved under file Ref. 17576-1560-0803

Weitere Angaben:

siehe Anlage Nr. 1

Further information

see appendix No. 1

Dieser Zeichengenehmigungs-Ausweis bildet die Grundlage für die EG-Konformitätserklärung und CE-Kennzeichnung durch den Hersteller oder dessen Bevollmächtigten und bescheinigt die Konformität mit den genannten Normen im Sinne der EG-Niederspannungsrichtlinie 73/23/EWG mit ihren Änderungen.

This Marks Licence is the basis for the EC Declaration of Conformity and the CE Marking by the manufacturer or his agent and shows the conformity with the said standards as defined by the EC Low-Voltage Directive 73/23/EEC including amendments.

VDE Prüf- und Zertifizierungsinstitut

Abteilung II

Summe der

Jahresgebühren-

Einheiten

12,55

Total annual fee units

VDE-Form 77L0596

VDE Testing and Certification Institute - Institut VDE d'Essais et de Certification

VDE Verband deutscher Elektrotechniker e.V.  
VDE Association of German Electrical Engineers  
Mittelstraße 14 · D-53669 Offenbach

Telefon national (069) 8306-0 · Telefax (069) 8306-555  
Telefon international (+49) (69) 8306-0



**MARQUE NATIONALE DE CONFORMITE**

**NATIONAL MARK OF CONFORMITY**



**LICENCE**



RGr/CCa/MEs  
Dossier N° 98100230 à  
File N° 98100233

Produit : **CORDONS CONNECTEURS**  
Product :

Essayé à la demande de : **TAIWAN LINE TEK ELECTRONIC CO. Ltd. - N° 95, Tsao Ti Wei,**  
Tested by request of : **Shen Keng Hsiang, Taipei Hsien, TAIWAN R.O.C.**

Fabriqué à : **Taiwan Line Tek Electronic Co. Ltd. - Taiwan (1334)**  
Manufactured at : **Taiwan Line Tek Electronic Co. Ltd. - Everfull electronic - China (1335)**

Caractéristiques nominales et principales : **10 A - 250 V - BIPOLAIRES AVEC DOUBLE SYSTEME DE CONTACTS DE**  
Rating and principal characteristics : **TERRE**

Marque de fabrique (s'il y a lieu) : **LINETEK**  
Trade mark (if any) :

Modèle/Type Réf. : **LP-33/LS-60 - entrée latérale de câble**  
Model/Type Ref. : **LP-34/LS-60 - entrée longitudinale de câble**

Information complémentaire (s'il y a lieu) : **non démontables - pour conditions froides - pour l'alimentation des appareils de la**  
Additional information (if any) : **classe I - équipés de câbles : H05 VV-F 3G0,75 - 3G1 mm²**

Ce produit a été essayé et trouvé conforme à : **NF EN 60799 (1984) + A1 (1993) - procédure OC**  
This product has been tested and found to be in conformity with :

Comme le montre le rapport d'essai (Référence n° **FI-858 (T.R. 196356-01 et 196356-03)**  
As shown in the test report (Reference N°

Cette licence, établie par le LABORATOIRE CENTRAL DES INDUSTRIES ELECTRIQUES, par délégation de l'AFNOR, sur la base des essais effectués sur ce produit, autorise l'usage de la Marque NF de conformité aux normes françaises concernant ce matériel dans les conditions du Règlement de la Marque NF, qui garantit cette conformité par le contrôle de la totalité de la fabrication.

*This licence, established by LABORATOIRE CENTRAL DES INDUSTRIES ELECTRIQUES, by delegation of AFNOR, in accordance with the tests carried out on this product, permits the use of the Mark NF of conformity with the French specific standards in compliance with the Rules of the NF Mark, which guarantee the conformity by checking the whole production.*

Fontenay-aux-Roses, le **18 février 1998**

Le responsable de la certification  
The certification manager

**R. GRESSE**



■ **LABORATOIRE CENTRAL DES INDUSTRIES ELECTRIQUES**

Société anonyme à Directoire et Conseil de surveillance au capital de 103 592 000 Francs - RCS Nanterre B 408 363 174

Siège social : 33, avenue du Général Leclerc - F 92260 Fontenay-aux-Roses - Tél. : + 33 (0)1 40 95 60 60

**Additional Information and manufacturing sites**

Item No. 01 Type designation: LP-33/LS-60

Technical data

IP-Class: 20 Rated Voltage (V): 250

Rated Current (A): 10 Design Code: 99TP

With cord H05VV-F 3G0,75-1,0 mm<sup>2</sup>, P5SC 3G 0,75 mm<sup>2</sup>

and P5SA 3G0,75 mm<sup>2</sup>. Standard sheet VII/C13.

Item No. 02 Type designation: LP-34/LS-60

Technical data

IP-Class: 20 Rated Voltage (V): 250

Rated Current (A): 10 Design Code: 99TP

With cord H05VV-F 3G0,75-1,0 mm<sup>2</sup>, P5SC 3G 0,75 mm<sup>2</sup>

and P5SA 3G0,75 mm<sup>2</sup>. Standard sheet VII/C13.

Code 99TP = All colours, thermoplastic material.

Manufacturing sites:

TAIWAN LINE TEK EL CO LTD  
95, TSAO TI WEI  
SHEN KENG HSIANG  
TAIPEI HSIEN  
TAIWAN

TAIWAN LINE TEK IN CHINA  
EVERFULL ELECTRONIC  
Yi Fu Wan Dain Ye Chang, Bao An  
Shenzhen, Guangdong  
CHINA

This certificate is based on a certificate with ref. No. 196356-01..02 dated 1997-10-06, issued by FIMKO according to the Nordic Certification Service Agreement.

This certificate, which includes production control, is considered to constitute sufficient support for an EC Declaration of Conformity and CE marking of the products according to the Low Voltage Directive 73/23/EEC and 93/68/EEC.

# CERTIFICATE

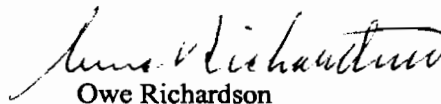
## *Product Safety*

<i>Reference No./pos</i>	9742286/01-02
<i>Product</i>	Cord set
<i>Certificate holder/ manufacturer</i>	TAIWAN LINE TEK EL CO LTD 95, TSAO TI WEI SHEN KENG HSIANG TAIPEI HSIEN TAIWAN
<i>Type designations</i>	LP-33/LS-60, LP-34/LS-60
<i>Technical data</i>	See enclosure 1
<i>The product complies with the standard(s)</i>	EN 60799:1987 and EN 60799/A1:1994
<i>Date of expiry</i>	31 December 2007
<i>LVD Information</i>	The products satisfy the provisions for CE marking according to the Low Voltage Directive 73/23/EEC and 93/68/EEC.

*Terms and additional information overleaf and in Appendix 1.*


Stockholm  
30 October 1997

SEMKO AB  
Product Certification

  
Owe Richardson



*SEMKO is part of the global network of*

 Intertek Testing Services

No. P97102771

Order No. 199744174

---

Group 03 53300 Cord sets for Class I equipment. Standard Sheet VII/C13

Position No 001  
Model/type LP-33/LS-60  
Data 10A 250V AC  
Other specification Thermoplastic with P5SC 3G0,75mm<sup>2</sup>, all colours

Position No 002  
Model/type LP-33/LS-60  
Data 10A 250V AC  
Other specification Thermoplastic with P5SA 3G0,75mm<sup>2</sup>, all colours

Position No 003  
Model/type LP-34/LS-60  
Data 10A 250V AC  
Other specification Thermoplastic with H05VV-F 3G0,75-1mm<sup>2</sup>, all colours

Position No 004  
Model/type LP-34/LS-60  
Data 10A 250V AC  
Other specification Thermoplastic with P5SC 3G0,75mm<sup>2</sup>, all colours

Position No 005  
Model/type LP-34/LS-60  
Data 10A 250V AC  
Other specification Thermoplastic with P5SA 3G0,75mm<sup>2</sup>, all colours

No. P97102771

Order No. 199744174

**Applicant** Taiwan Line Tek Electronic Co.,Ltd.  
Att.: Mr. James Lin  
No.95 Tsao Ti Wei Shen Keng Hsiang  
Taipei Hsien, TAIWAN R.O.C.

**Manufacturer** Taiwan Line Tek in China Everfull  
Electronic, Yi Fu Wan Dain Ye  
Chang, Bao An, Shenzhen  
Guangdon/CHINA

**Factory** Taiwan Line Tek in China Everfull  
Electronic, Yi Fu Wan Dain Ye  
Chang, Bao An, Shenzhen  
Guangdon/CHINA

**Group 03 53300** Cord sets for Class I equipment. Standard Sheet VII/C13

**Model/type** LP-33/LS-60

**Data** 10A 250V AC

**Other specification** Thermoplastic with H05VV-F 3G0,75-1mm<sup>2</sup>, all colours

**The above product is certified according to the flwg. standard(s)** Safety std.: NEK-EN 60799:87 + A1:94, including possible listed national conditions/deviations for Norway.

**Validity** The certificate is valid until 1 January 2008, provided that all signed certification conditions are complied with, and that possible changes to the product are notified to Nemko for acceptance prior to implementation. The validity time may be reduced in case new standards are made applicable. The certificate also applies as licence for use of Nemko's name and certification mark.

**Remarks** Confer the attached covering letter.

**Variants** This Certificate also covers variants with Position No. from 001 to 005  
See next page(s)

Date of issue 13 November 1997

signature

Ragnar Køtzow  
Head of section

signature

Nils Flattum

Nemko AS  
P.O. Box 73, Blindern  
N-0314 Oslo, Norway

Office address  
Gautadalléen 30  
Oslo

Telephone  
+47 22 96 03 30  
Enterprise number:

Fax  
+47 22 96 05 50  
NO 974404532



ANNEX TO KEMA-KEUR CERTIFICATE 98.2662.02

page 2 of 2

**FACTORY-LOCATIONS**

Taiwan Line Tek Electronic Co., Ltd., 95, Tsao Ti Wei  
Shen Keng Hsiang, Taipei Hsien, Taiwan

Taiwan Line Tek In China Everfull, Electronic  
Yi Fu Wan Dain Ye Chang, Bao An, Shenzhen Guandong, China

**N.V. KEMA**  
Utrechtseweg 310, 6812 AR Arnhem, The Netherlands  
P.O. Box 9035, 6800 ET ARNHEM, The Netherlands  
Telephone +31 26 3562850, Telefax +31 26 3514922

**SPECIFICATION OF THE CERTIFIED PRODUCT****Product data**

product : supply cords (2-pole)  
trade name : LINETEK  
types : LS-60/LP33, LS-60/LP34

cord set consisting of

connector  
type : LS-60  
rated current : 10 A  
rated voltage : 250 V~  
certification mark : KEMA-KEUR

applied flexible cords  
type : H05VV-F 3G 0,75 and 3G 1,0 mm<sup>2</sup>  
VMvL-af 3G 0,75 mm<sup>2</sup> (two versions)  
certification mark : KEMA-KEUR

plug  
type : LP-33 or LP-34  
rated current : 16 A  
rated voltage : 250 V~  
certification mark : KEMA-KEUR

description : complete cord sets for class I appliances  
markings : are shown on the connector and plugs

**TESTS****Test requirements**

- EN 60799:1987
- NBN C 61 799.

**Test results**

The test results are laid down in KEMA test file 98.2662.02.

**Conclusion**

The examination proved that all test requirements were met.

Tested by : H. Boers Checked by : H.R.M. Barends **N.V. KEMA**

Utrechtseweg 310, 6812 AR Arnhem, The Netherlands  
P.O. Box 9035, 6800 ET ARNHEM, The Netherlands  
Telephone +31 26 3562850, Telefax +31 26 3514922



# CERTIFICATE

KEMA no.: **98.2662.02**

Issued to:  
Applicant:  
**Taiwan Line Tek Electronic Co., Ltd.**  
**95, Tsao Ti Wei**  
**Shen Keng Hsiang**  
**TAIPEI HSIEN, Taiwan**

Manufacturer/Licensee:  
**Taiwan Line Tek Electronic Co., Ltd.**  
**95, Tsao Ti Wei**  
**Shen Keng Hsiang**  
**TAIPEI HSIEN, Taiwan**

Product : supply cords (2-pole)  
Trade name : LINETEK  
Types/models : LS-60/LP33, LS-60/LP34

The product and any acceptable variation thereto is specified in the Annex to this certificate and the documents therein referred to.

KEMA hereby declares that the above-mentioned product has been certified on the basis of:

- a type test according to the standard EN 60799; 1987
- an inspection of the production location according to CCA Group Operational Document CCA 204
- a certification agreement with the number 926928.

KEMA hereby grants the right to use the KEMA certification mark



The KEMA-KEUR certification mark may be applied to the product as specified in this certificate for the duration of the KEMA-KEUR certification agreement and under the conditions of the KEMA-KEUR certification agreement.

This certificate is issued on: September 11, 1998

C.M. Boschloo  
Certification Manager

© Integral publication of this certificate is allowed

**N.V. KEMA**  
Utrechtseweg 310, 6812 AR Arnhem, The Netherlands  
P.O. Box 9035, 6800 ET Arnhem, The Netherlands  
Telephone +31 26 3 56 28 50, Telefax +31 26 3 51 49 22

ACCREDITED BY  
THE DUTCH COUNCIL  
FOR ACCREDITATION



## APPROVAL CERTIFICATE NO. EN322

( Description of the Products )

### CORD SETS

Trade mark	<i>LINETEK</i>
Type ref. of connector	<i>LS-60</i>
Appliance inlet	<i>2P+E+E UNEL 47166-68</i>
Type ref. of plug	<i>LP-34</i>
Plug trade mark	<i>LINETEK</i>
Type of cable	<i>H05VV-F</i>
Section areas	<i>3G1mm2</i>

*Manzoni L.*  
IMQ

Date of issue 17/04/98

pag. 2



ISTITUTO ITALIANO  
DEL MARCHIO DI QUALITÀ  
per il controllo di rispondenza  
a norme tecniche di prodotti e sistemi  
D.P.R. n.134 del 20-1-1971

I-20138 Milano - Via Quintiliano, 43  
Tel. 02/50731 (r.a.) - Fax 02/5073271  
Telex 310494 IMQ I - Teleg. Italmarchio Milano  
CCIAA Milano n° 1421712  
Trib. Milano Pers. Giur. n°159 / vol.5 / fasc.159  
C. Fiscale/P. IVA 00798880159

## APPROVAL CERTIFICATE NO. EN322

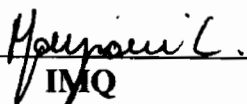
( Description of the Products )

### CORD SETS

Trade mark	<i>LINETEK</i>
Type ref. of connector	<i>LS-60</i>
Appliance inlet	<i>2P+E+E UNEL 47166-68</i>
Type ref. of plug	<i>LP-33</i>
Plug trade mark	<i>LINETEK</i>
Type of cable	<i>H05VV-F</i>
Section areas	<i>3G0,75mm<sup>2</sup></i>

Trade mark	<i>LINETEK</i>
Type ref. of connector	<i>LS-60</i>
Appliance inlet	<i>2P+E+E UNEL 47166-68</i>
Type ref. of plug	<i>LP-33</i>
Plug trade mark	<i>LINETEK</i>
Type of cable	<i>H05VV-F</i>
Section areas	<i>3G1mm<sup>2</sup></i>

Trade mark	<i>LINETEK</i>
Type ref. of connector	<i>LS-60</i>
Appliance inlet	<i>2P+E+E UNEL 47166-68</i>
Type ref. of plug	<i>LP-34</i>
Plug trade mark	<i>LINETEK</i>
Type of cable	<i>H05VV-F</i>
Section areas	<i>3G0,75mm<sup>2</sup></i>

  
IMQ

Date of issue 17/04/98

pag. 1 ( follows )



ISTITUTO ITALIANO  
DEL MARCHIO DI QUALITÀ  
per il controllo di rispondenza  
a norme tecniche di prodotti e sistemi  
D.P.R. n.134 del 20-1-1971

I-20138 Milano - Via Quintiliano, 43  
Tel. 02/50731 (r.a.) - Fax 02/5073271  
Telex 310494 IMQ I - Teleg. Italmarchio Milano  
CCIAA Milano n° 1421712  
Trib. Milano Pers. Giur. n°159 / vol.5 / fasc.159  
C. Fiscale/P. IVA 00798880159

## APPROVAL CERTIFICATE NO. EN322

( DAT 98000656 )

As to Test Reports Nos.: 02A9800134, CB FI 858

it is stated that the following product:

### CORD SETS

Type of connector	2P+E S.S. C13
Rated voltage	250V
Rated current	10A
Type of application	for cold conditions
Type of terminals	MA = crimped connection
Material of the cover	thermoplastic
Cable exit	axial
Series	-

( Follows Description of the Products )

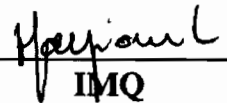
of the Firm: *TAIWAN LINE TEK ELECTR. CO. LTD. ( 1994 / 175 )*  
*NO. 95 TSAO TI WEI, SHEN KENG HSIANG TAIPEI HSIEN ( ROC )*  
manufactured in the factory of:  
( 95002706 ) *TAIPEI HSIEN - TAIWAN ( ROC )*  
( 97000931 ) *GUANGDONG ( RC )*

is in conformity with:

CEI 23-23 - I Ed. 1988 (EN 60799 - 1985)

therefore according to essential requirements of the L.V.D. 73/23 and 93/68 EEC

and is authorized to the use of the mark: *IMQ*

  
IMQ

This Approval Certificate may be revoked according to what specified in the Rules under the clauses concerning the renouncement or the revocation of the use of the IMQ Marks.

\*\*\* This is a translation from the Italian text, which prevails in case of doubts \*\*\*

Date of issue 17/04/98

Copy of this Approval Certificate  
shall be kept in the place of production.

IMQ models: 1

This Approval Certificate includes 1 annex



ENCLOSURE 1 (196356-01...02),

**Additional information connected to certificate 196356-01...02**

moulded on cords:

- 01 H05VV-F 3G0,75-1
- 02 P5SC and P5SA 3G0,75

FIMKO Ltd.  
P.O. Box 30 (Särkiniementie 3)  
FIN-00211 HELSINKI  
FINLAND

Telephone nat. (09) 696 361  
Telephone int. +358 9 696 361

Telefax nat. (09) 692 5474  
Telefax int. +358 9 692 5474

*Tmp*

# LICENCE

No.: 10862

Issued to:  
Applicant:  
**Taiwan Line Tek Electronic Co., Ltd.**  
**95, Tsao Ti Wei**  
**Shen Keng Hsiang**  
**TAIPEI HSIEN, Taiwan**

Licensee:  
**Taiwan Line Tek Electronic Co., Ltd.**  
**95, Tsao Ti Wei**  
**Shen Keng Hsiang**  
**TAIPEI HSIEN, Taiwan**

Product : Complete cordsets for class I appliances

Trade name(s) : LINETEK

Type(s)/model(s) : LS-60/LP-33, LS-60/LP-34

The product and any acceptable variation thereto is specified in the Annex to this licence and the documents therein referred to.

CEBEC Registered Quality hereby declares that the above-mentioned product has been certified on the basis of :


- a type test according to the standard EN 60799
- an inspection of the production location according to CCA Group Operational Document CCA 204
- a certification agreement with the number 916

CEBEC Registered Quality hereby grants the right to use the CEBEC certification mark



The CEBEC certification mark may be applied to the product as specified in this licence for the duration of the CEBEC certification agreement and under the conditions of the CEBEC certification agreement.

This licence is issued on: October 1, 1998

  
ir. R. Maquestiau,  
Managing Director

© Integral publication of this certificate is allowed



IEC SYSTEM FOR CONFORMITY TESTING TO  
STANDARDS FOR SAFETY OF ELECTRICAL  
EQUIPMENT (IECEE)  
CB SCHEME

SYSTEME CEI D'ESSAIS DE CONFORMITE AUX  
NORMES DE SECURITE DE L'EQUIPEMENT  
ELECTRIQUE (IECEE)  
METHODE OC

## CB TEST CERTIFICATE CERTIFICAT D'ESSAI OC

Product  
Produit

Name and address of the applicant  
Nom et adresse du demandeur

Name and address of the manufacturer  
Nom et adresse du fabricant

Name and address of the factory  
Nom et adresse de l'usine

Rating and principal characteristics  
Valeurs nominales et caractéristiques principales

Trade mark (if any)  
Marque de fabrique (si elle existe)

Model/type Ref.  
Ref. de type

Additional information (if necessary)  
Information complémentaire (si nécessaire)

A sample of the product was tested and found  
to be in conformity with  
Un échantillon de ce produit a été essayé et a été  
considéré conforme à la

as shown in the Test Report Ref. No.  
which form part of this certificate  
comme indiqué dans le Rapport d'essais numéro  
de référence  
qui constitue une partie de ce certificat

Cord set

Taiwan Line Tek Electronic Co., Ltd. No. 85, Tsao Ti Wei,  
Shen Keng Hsiang, Taipei Hsien, TAIWAN, R.O.C.

1. Taiwan Line Tek Electronic Co., Ltd. No. 85, Tsao Ti Wei,  
Shen Keng Hsiang, Taipei Hsien, TAIWAN, R.O.C.

2. Taiwan Line Tek in China Everfull Electronic, Yi Fu Wan Dain  
Ya Chang, Bao An, Shenzhen, Guangdong, CHINA

same as above

250 V, 10 A

LINETEK

LP-33 or LP-34 / LS-60

moulded on cord 227 IEC 53 3GD, 75-1 mm<sup>2</sup> (H05VV-F)

IEC 799:1984 + A1:1993

196356-01 and 196356-03 (pages 21)

This CB Test Certificate is issued by the National Certification Body  
Ce Certificat d'essai OC est établi par l'Organisme National de Certification

of Finland

FIMKO LTD

Date 6 October 1997

Signature

# DEMKO

Lyskaer 8, Postbox 514

DK-2730 Herlev, Denmark

Phone : +45 44 85 65 65

Fax : +45 44 85 65 00

Telex: 35125 demko dk

Taiwan Line Tek Electronic Co. Ltd.  
No. 95, Tsao Ti Wei,  
Shen Keng Hsiang  
Taipei Hsien  
Taiwan R.O.C.


Examiner: Sven Larsen

Your reference	Your letter	Our letter	Our reference	Ext.	Herlev
David Lo/Giant			307119	6236	1997-10-27

## Approval

DEMKO hereby grants approval of the following equipment:

Product category	:	<b>Cord set for Class I Equipment</b>
Manufacturer	:	<b>own, produced in Taiwan or China</b>
Name/trademark (if any)	:	<b>LINETEK</b>
Model/type ref.	:	<b>LP-33 or LP-34/LS-60</b>
Rated current or wattage	:	<b>10 A</b>
Rated voltage	:	<b>250 V</b>
Class of insulation	:	<b>-</b>
Additional information	:	<b>Cord: H05VV-F 3 x 0.75-1 mm<sup>2</sup>, moulded on cords. P5SC and P5SA 3 x 0.75 mm<sup>2</sup></b>
Testing Standard/s	:	<b>EN 60799 + A1</b>
Approval basis	:	<b>Nordic Certification Service FIMKO certificate No. 196356 of 1997-10-06.</b>

DEMKO has found the equipment to be in conformity with the above mentioned standard/s and it may be provided with the registered approval mark .

We draw your attention to the fact that this approval only applies to equipment of exactly the same construction as the approved product type.

If alterations of the equipment are made, including the marking, DEMKO has to be informed about this in writing.

The approval is valid until 2007-12-31.

Costs dealing with this matter will appear from the invoice.

Yours faithfully

  
Erik Fristrøm, DEMKO A/S

A subsidiary of



Underwriters Laboratories Inc. ®

3531/23.7804



**Test results**

The test results are laid down in CEBEC test file 572806/03  
and in TRF No. 98.2662/02.

**FACTORY-LOCATION(S)**

- 1) Taiwan Line Tek Electronic Co., Ltd.  
95, Tsao Ti Wei  
Shen Keng Hsiang  
TAIPEI HSIEN, Taiwan
  
- 2) Taiwan Line Tek In China Everfull, Electronic  
Yi Fu Wan Dain Ye Chang  
BAO AN, SHENZHEN GUANDONG  
China (People's Rep.)

**SPECIFICATION OF THE CERTIFIED PRODUCT**

**Product data**

product : Complete cordsets for class I appliances

trade name(s) : LINETEK

type(s) : LS-60/LP-33, LS-60/LP-34

Complete cordsets for class I appliances consisting of :

connector

type : LS-60

rated current : 10 A

rated voltage : 250 V<sup>~</sup>

standard sheet : C13

temperature limit : T70

applied flexible cords

type : H05VV-F 3G0,75 and 3G1,0 mm<sup>2</sup>

plug

type : LP-33 or LP-34

rated current : 16 A

rated voltage : 250 V<sup>~</sup>

earthing

standard sheet : with dual earthing system  
: VII

description : complete cordsets for class I appliances

markings : are shown on the connector and plugs

**TESTS**


**Test requirements**

NBN C 61-799 based on EN 60799 : '87

# FIMKO<sup>®</sup> FI

## CERTIFICATE *Sertifikaatti* *Certifikat*

nro / no / nr  
196356-01...02

<b>Applicant</b>	Taiwan Line Tek Electronic Co., Ltd. No. 95, Tsao Ti Wei, Shen Keng Hsiang, Taipei Hsien, TAIWAN, R.O.C.
<b>Manufacturer</b>	1. Taiwan Line Tek Electronic Co., Ltd. No. 95, Tsao Ti Wei, Shen Keng Hsiang, Taipei Hsien, TAIWAN, R.O.C. 2. Taiwan Line Tek in China Everfull Electronic. Yi Fu Wan Dain Ye Chang, Bao An, Shenzhen, Guangdong, CHINA
<b>Factory</b>	same as above
<b>Product</b>	Cord set
<b>Model/Type Reference</b>	LP-33 or LP-34 / LS-60
<b>Trade mark (if any)</b>	LINETEK
<b>Rating</b>	250 V, 10 A, ~
<b>Other specification</b>	moulded on cords: see ENCLOSURE 1 (196356-01...02)
<b>The product is certified according to the following standard(s)</b>	EN 60799:1987 + A1:1994
<b>Validity</b>	The certificate is valid until 31 December 2007, provided that the conditions of the Testing and Certification Contract are fulfilled, and that possible changes to the product are notified to FIMKO for acceptance prior to implementation. The validity time may be reduced in case new standards are made applicable. The certificate also applies as licence for use of FIMKO's name and FI-mark.
<b>Date of issue</b>	6 October 1997
<b>Signature</b>	FIMKO LTD  Timo Peltonen Senior Testing Officer

Postiosoite: PL 30, FIN-00211 Helsinki  
Postadress: Box 30 FIN-00211 Helsingfors  
Postal address: P.O.Box 30 FIN-00211 Helsinki

Käyntiosoite: Särkiniementie 3, Helsinki  
Gatuadress: Mörttäsvägen 3, Helsingfors  
Street address: Särkiniementie 3, Helsinki

Puh./ Tel. (90) 696 361  
Int. +358 0 696 361

Telekopio / Telefax (90) 692 5474  
Int. +358 0 692 5474

AUSTRIAN ELECTROTECHNICAL ASSOCIATION  
A-1010 Wien, Eschenbachgasse 9

Testing & Certification  
Kahlenberger Str. 2A  
A-1190 Wien  
Telefon: +43 1 370 58 06  
Telefax: +43 1 370 58 06-199



Page 1 of 3

# ÖVE-CERTIFICATE

including the entitlement to use the Austrian Safety Mark



Certificate No.: 13793-006-03

Valid from: 2003 07 01  
until: 2005 07 01

The Austrian Electrotechnical Association (ÖVE) hereby grants the right to the company mentioned below to label the listed products with the Austrian Safety Mark.

Company: TAIWAN LINE TEK ELECTRONIC Co.,Ltd  
No. 272, Sec. 3, Bei Shen Road,  
Shen Keng Hsiang,  
TW-Taipei Hsien, Taiwan, R.O.C.

Product: Cord Set for Class I appliances

Basis for this given right is the conformity of the products with the requirements of the technical standards listed in this certificate as shown in the test report  
Ref.-No. VAE 24848.

This certificate establishes the conformity of the tested specimen and of all products manufactured strictly identical to the submitted one.

ÖSTERREICHISCHER VERBAND FÜR ELEKTROTECHNIK  
Head of Testing & Certification

Vienna, 2003 05 13

Dipl.-Ing. W. Martin

ÖVE

ÖVE - Testing & Certification *115/Wa*

Accredited by the Austrian Ministry of Economics and Labour as Certification Body and Inspection Body for products, services, process and system evaluation in the whole field of electrotechnology



**Manufacturer:**

TAIWAN LINE TEK ELECTRONIC Co.,Ltd  
 No. 272, Sec. 3, Bei Shen Road,  
 Shen Keng Hsiang,  
 TW-Taipei Hsien, Taiwan, R.O.C.

**Factory location(s):**

TAIWAN LINE TEK ELECTRONIC Co.,Ltd  
 No. 272, Sec. 3, Bei Shen Road,  
 Shen Keng Hsiang,  
 TW-Taipei Hsien, Taiwan, R.O.C.

Taiwan Line Tek Electronic Co.,Ltd.  
 The fourth industrial district  
 FuMing Country, GuanLan Town, Bao'An Area  
 CN-Shen Zhen City , Guang Dong Province, China

**Tested and certified according to:**

ÖVE EN 60799:1998-11

This certificate is the basis for the EC Declaration of Conformity and the CE Marking by the manufacturer or his agent and shows the conformity with the listed standards as defined by the EC Low-Voltage Directive 73/23/EEC including amendments.

**Product: Cord Set for Class I appliances**

**Type designation:  
 Rating:**

**Trademark:**

LP-33/LS-60  
 Rated voltage: AC 250 V  
 Rated current: 10 A  
 H05VV-F 3 G 0,75

LINETEK

LP-33/LS-60  
 Rated voltage: AC 250 V  
 Rated current: 10 A  
 H05VV-F 3 G 1

LINETEK

LP-33/LS-60  
 Rated voltage: AC 250 V  
 Rated current: 10 A  
 P5SA 3 G 0,75

LINETEK

**ÖVE - Testing & Certification**

Accredited by the Austrian Ministry of Economics and Labour as Certification Body and Inspection Body for products, services, process and system evaluation in the whole field of electrotechnology



LP-33/LS-60 Rated voltage: AC 250 V Rated current: 10 A P5SC 3 G 0,75	LINETEK
LP-34/LS-60 Rated voltage: AC 250 V Rated current: 10 A H05VV-F 3 G 0,75	LINETEK
LP-34/LS-60 Rated voltage: AC 250 V Rated current: 10 A H05VV-F 3 G 1	LINETEK
LP-34/LS-60 Rated voltage: AC 250 V Rated current: 10 A P5SA 3 G 0,75	LINETEK
LP-34/LS-60 Rated voltage: AC 250 V Rated current: 10 A P5SC 3 G 0,75	LINETEK

РОСС CN.CH01.B0

28.08.2006

28.08.2009

РОСС CN.0001.11CH01

СЖС СОСЬЕТЕ ЖЕНЕРАЛЬ ДЕ СУРВЕЙЯНС С.А.  
(SGS SOCIETE GENERALE DE SURVEILLANCE S.A.)  
1, плас де Альп, П.О.Вокс 2152, 1211 Женева, Швейцария  
115114, г.Москва, Летниковская ул., д.10, стр.1.  
Тел. (095) 775 44 55, факс (095) 775 44 50

Шнуры-соединители LP-21/LS-7, LP-33/LS-15, LP-34/LS-15,  
LP-33/LS-60, LP34/LS-60, LS-14/LS-60 со шнурами H03VVH2-F,  
H05VV-F, P5SA, P5SC

34 6886

СЕРИЙНЫЙ ВЫПУСК

ГОСТ Р МЭК 60799-2002

8 5 4 4 5 9 9 0 0 0

Taiwan Lintek/Everfull Electronic Co., Ltd  
The Fourth Industrial District FuMing Country, GuanLan Town, 518110 Bao An Area Shen  
Zhen City Guangdong/Китай  
тел. + факс +

Taiwan Line Tek Electronic Co., Ltd  
272 Sec.3, Bei Shen Rd, Shen Keng Hsiang, Taipei Hsieng/Тайвань  
тел.886-2-25433567, факс 886-25366849

Протокол испытаний ИЛ "Тест-Санкт-Петербург" № 2006-164С1-425 от 19.05.2006, аттестат  
аккредитации РОСС RU.0001.21МЕ01 (190103, Санкт-Петербург, ул.Курляндская д.1);  
АКТЫ инспекционной проверки производства от 12 апреля 2005/ FIMKO, от 10 марта 2006/  
SEMKO (GZ)

Сертификаты CB VDE № DE1-34949 от 10.07.2006, CB VDE № DE1-34944 от 14.07.2006  
протоколы испытаний 1757600-1570-0008/73973 от 5.07.2006, 1757600-1570-0008/73977 от  
5.07.2006;

Маркировка наносится знаком соответствия по ГОСТ Р 50460-92 на изделие  
Схема сертификации За

П. Алхола

Н. Пихлман

SGS Ref No :G2059-69843



**Everfull**  
**Electronic co.,ltd.**  
The 4th industrial area,  
fumin village,Guanlan Town,  
BaoAn district, ShenZhen city.  
Guang Dong province, China

怡富萬電業有限公司  
中國廣東省深圳市寶安區  
觀瀾鎮福民村第四工業區  
Tel: 86 -755-8026188  
Fax: 86 -755-8026222

致各尊敬的客戶：

## 有關電源線增加俄羅斯安規 MARK 事宜

為進一步拓展電源線市場，提高市場競爭力，滿足不同客戶的需求，我司特申請俄羅斯安規，現我司已通過安規機構認證，取得俄羅斯安規。相關安規證書請參考附件一。

由於俄羅斯亦為歐洲國家，電源線型號(plug and connector)外觀同其歐洲安規一模一樣，模具共用，故現有俄羅斯各型號電源線只是在原有各歐洲型號(plug and connector)上增加俄羅斯安規 mark，具體圖標及標識位置請參考附件二。

鑒於只是在(plug and connector)上增加安規 mark，並無規格尺寸及性能上的改變，為提高切換速度，避免步調不一造成混亂而影響交貨，故我司建議自2006.12.01 開始對所有客戶全面切換，新 item 自本月底開始以新模具制樣。

特此知會，請各位知悉並確認回簽寶貴意見。謝謝!

.....  
d on behalf of  
WAN LINE TEK ELECTRONIC CO., LTD.  
台灣良得電子股份有限公司

**K.H.HSIEH**  
台灣良得電子股份有限公司(s)  
怡富萬電業有限公司  
業務部

For and 2006/10/16  
EVERFULL ELECTRONIC CO., LTD.  
怡富萬電業有限公司

**ALEX CHEN**

.....  
Authorized Signature(s)





# 全漢企業股份有限公司

SPI Electronic co., Ltd

## 線材承認量測報告

P/N:4PB0001611GP (怡富萬)		SAMPLE NO.			判定
ITEM	SPEC值	1	2	3	OK/NG
外觀確認	端子:無生鏽,電鍍不良,變形,包芯,包膠,料帶太長,刮傷,線材外露,擴孔,壓傷等線材:無刮傷,毛刺,縮水	OK	OK	OK	OK
耐壓	AC 2500V 0.5mA 60SEC無電弧及破損	0.226	0.224	0.228	OK
I.R (MΩ)	DC 500V 100MΩ 60SEC無電弧及破損	OK	OK	OK	OK
極性及導通測試	無斷路, 短路及誤配	OK	OK	OK	OK
膠殼及端子材質	PVC / COPPER ALLOY	OK	OK	OK	OK
絲印方向	/	/	/	/	/
端子拉力	/	/	/	/	/
插拔力	3.0~5.0 kg	3.5	3.4	3.8	OK
耐溫確認	80±2°C 2H	OK	OK	OK	OK
各線並打確認	/	/	/	/	/
升版變更內容確認	增加俄羅斯安規標示				
單個重量(kg)		0.1793	0.1791	0.1792	
機構尺寸	UNIT :mm				
1	1500±50	1513	1512	1514	OK
2	37±1	36.59	36.64	36.62	OK
3	19.5±0.5	19.98	19.96	19.99	OK
4	14.5±0.5	14.76	14.71	14.74	OK
5	19.0±0.2	19.07	19.09	19.12	OK
6	62±1	62.74	62.81	62.69	OK
7	36.5±0.5	36.68	36.61	36.65	OK
8	32±0.5	32.25	32.22	32.27	OK
9	3.5+0.3/-0.2	3.67	3.58	3.63	OK
10	32+0.5/-0	32.43	32.38	32.41	OK
11	4+0.5/-0	4.28	4.22	4.26	OK
12	10±0.1	9.94	9.92	9.91	OK
13	36.5±0.5	36.68	36.73	36.65	OK
14	12±1	12.48	12.39	12.46	OK
15	19±0.5	18.72	18.76	18.73	OK
16	17.5 MIN	18.08	18.24	18.16	OK
17	16.5 MIN	17.22	17.14	17.19	OK
18	4.8±0.06	4.77	4.78	4.77	OK
19	14±0.2	13.9	13.93	13.91	OK
20	2.5+0.3/-0	2.62	2.64	2.63	OK
21	5+0.5/-0	5.17	5.13	5.15	OK
22	74±1	74.99	74.92	74.88	OK
23	26±0.5	25.9	25.96	25.98	OK
24	23+0/-0.5	22.78	22.76	22.81	OK
25	18 MIN	18.7	18.79	18.75	OK
26	18.8±0.5	19.03	19.05	19.04	OK
27	15.8+0/-0.5	15.73	15.71	15.76	OK
28	5.7+1.5/-0	7.14	7.12	7.16	OK
線序, 顏色及安規	H05VV-F0.75mm <sup>2</sup> 3C BLACK 4'11"				
L	BROWN	OK	OK	OK	OK
E	YEL/GRN	OK	OK	OK	OK
N	BLUE	OK	OK	OK	OK

Conclusion:

PREPARED BY:金利濱

CHECKED BY: 子

APPROVED BY: 張國川 11/22

2006/11/22